

⚠️ WARNING

To reduce the risk of drowning, entrapment, falls, paralysis, electrocution, or other serious injury or death:

Dealer/Installer: Give manual to homeowner.

Installer: Read “**Safe Installation**” on p. 2 and all instructions before beginning. For proper assembly and installation, instructions must be followed completely.

Homeowner: Read “**Safe Use**” on back cover before using. Save these instructions.

Installation must comply with local codes and may require permits.

MODEL #8000X OUTSIDE SAFETY LADDER

FOR USE ONLY WITH THE CONFER-STEP-1X.

Fits 48” to 54” pools

Do not use with inflatable pools.

WEIGHT LIMIT 300 LBS.

ASSEMBLY, INSTALLATION AND USE MANUAL

Assembly video available online: www.conferplastics.com



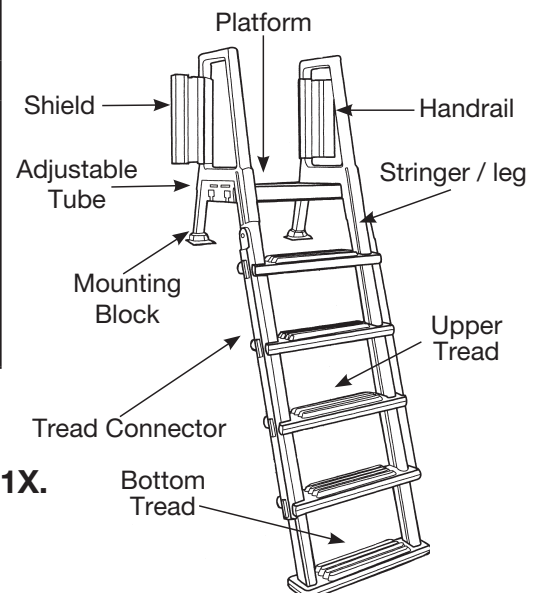
Made in the U.S.A. by

CONFER
plastics inc.

www.conferladders.com

Model #8000X Outside Safety Ladder

PARTS LIST		HARDWARE PACK		TOOLS REQUIRED FOR ASSEMBLY:
Qty.	Description	Qty.	Description	
2-	Handrails	38-	#10 x 1-1/4" Screw	* Cordless Drill
2-	Stringers / Legs	2-	1/4-20 x 3-1/2"	* 1/8" Drill Bit
4-	Upper Treads		Bolt	* Utility Knife
1-	Bottom Tread	2-	1/4" Washer	* Liquid Soap or Spray Lubricant
2-	Shields	2-	1/4-20 Nylon Nut	* Phillips Screwdriver or screwdriver bits
2-	Tread Connector (RH & LH)	2-	Adjustable Tubes	
1-	Platform (wedges attached) see Step #2.	2-	Mounting Blocks	
		1-	Cable Lock	



Note: Assemble this ladder before assembling the Confer-Step-1X. If you have already assembled the Confer-Step-1X it will be necessary to remove the handrails (see step #10).

Safe Installation

⚠ WARNING

To reduce the risk of electrocution, drowning, entrapment, falls, or other serious injury or death:

Check building codes/permitting. Consult your local Building Department before installation of your pool and equipment. Pool/equipment installation must comply with the codes of the authority having jurisdiction and may require permits (e.g., building, plumbing, electrical, zoning, etc.).

Use for intended purpose only

- Use only as swimming pool ladder.
- This ladder is designed and manufactured for a specific pool wall height and/or deck of the pool - check product specification and the height of your pool.

Check that you have all required parts. Check the contents of the carton with the Parts list for this step system. All parts and hardware are required. If any parts are missing, **DO NOT attempt to assemble or install the steps.** Instead, call Toll Free U.S. - 800-635-3213 or visit our web site at www.conferladders.com for assistance.

Select an appropriate location - The step system must be located on a solid base.

Follow all instructions

- For stable, correct assembly and installation, all instructions must be followed completely and in the sequence shown.
- Follow the manufacturer's recommendations for the safe use of all hand tools and equipment used during installation.

Cordless drill only - no corded drills near pool. Use a cordless drill for assembly and installation. To reduce the risk of electrocution, NEVER use a corded drill in or around a pool.

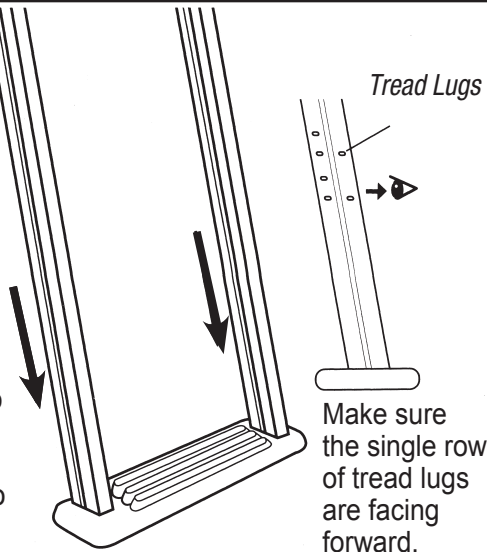
Lift safely. When lifting awkward or heavy loads, have another person help you.

Double check after installation

- Before using the product, after assembly and installation, go over the instructions and procedures again to make sure nothing has been overlooked.
- Make sure that safety labels are installed and legible.

Step 1.

Force stringers into bottom tread pockets so they lock into place.



Step 2.

Two sets of Lug locations are provided on each of the stringers. Slide the four treads into the upper set of lugs on each of the stringers. Using a Phillips screwdriver or cordless drill, secure the uppermost tread only, by driving a #10 x 1-1/4" screw through the recessed location on the end of the tread.

Secure the uppermost tread only to stringers

Stringers

Tread Lugs

Position all 4 treads in upper lug locations only.

Do not position tread in lower location.

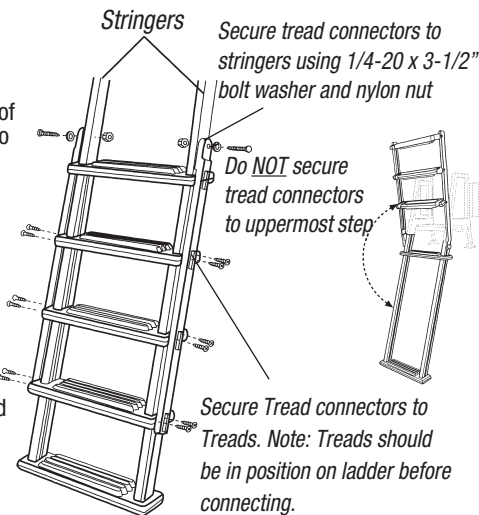


x4

WARNING! Using a corded drill near pool may result in electrocution.

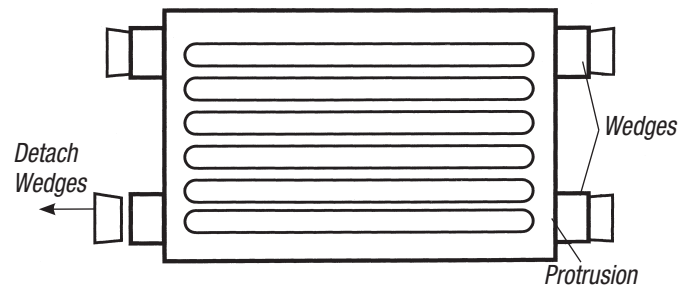
Step 3.

Position the tread connectors (One left, one right) on the ends of the treads and fasten to the stringers using the 1/4-20 x 3-1/2" bolt, washer and nylon nut. Do not over-tighten. Fasten the tread connectors to the ends of the treads, except the uppermost tread, by driving two #10 x 1-1/4" screws through the pre-formed holes in the tread connector and into the end of the treads.



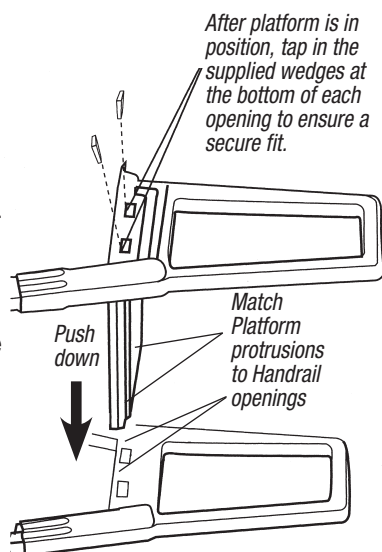
Step 4.

Detach the 4 wedges from the end of the protrusions by twisting them off and save for use in step 5. (It may be necessary to use a utility knife to assist in removal).



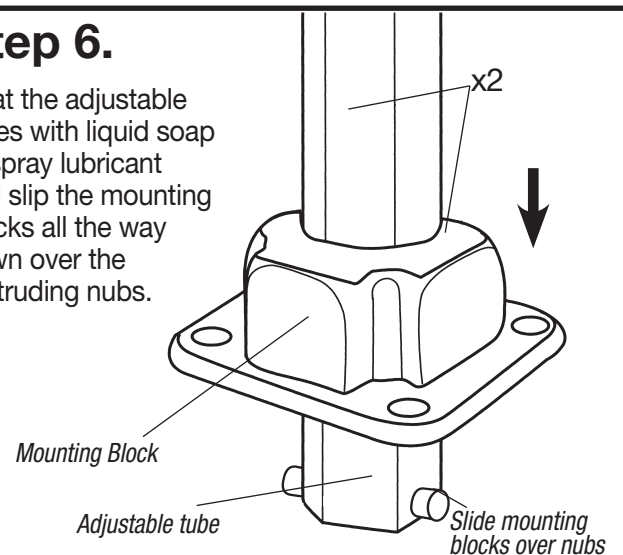
Step 5.

Assemble the platform to the handrails by laying one of the handrails on a clean hard surface. Push the protrusion of the platform into the openings of the handrail making sure that the legs of both handrails are facing in the same direction. Tap the 4 wedges (from step 4) into the sides of the handrails to secure the platform to the rails.



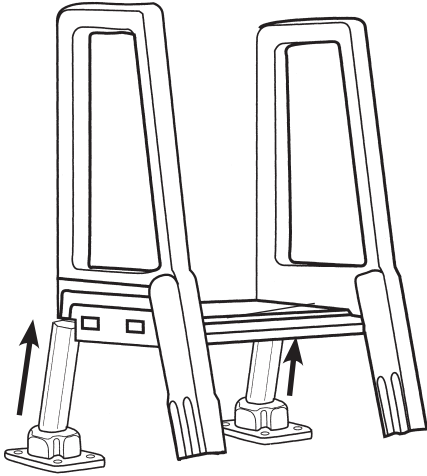
Step 6.

Coat the adjustable tubes with liquid soap or spray lubricant and slip the mounting blocks all the way down over the protruding nubs.



Step 7.

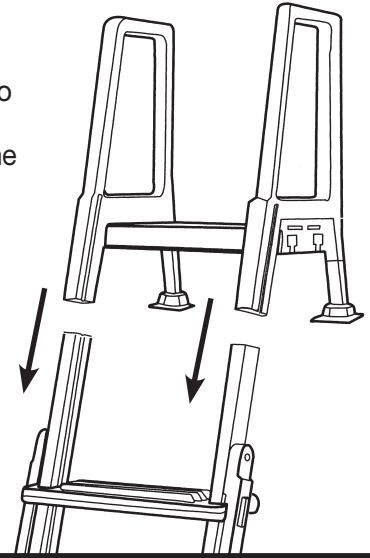
Push the adjustable tubes with mounting blocks into handrails.



Step 8.

Attach the handrails to the ladder assembly, making certain that the treads face correctly.

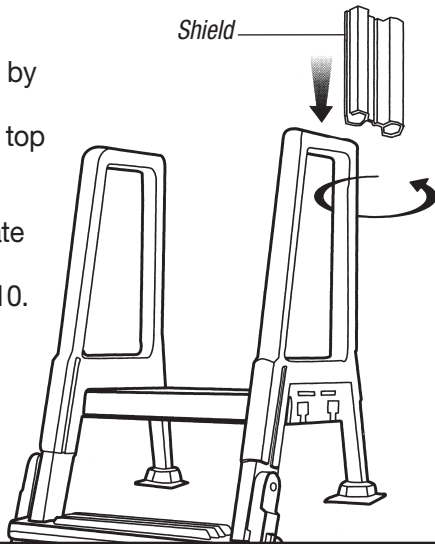
Note: Coat the ends of the stringers with liquid soap or spray lubricant before sliding handrails into position.



Step 9.

Attach the shield by sliding the shield opening over the top of each handrail. Push down into position and rotate 90° outward as appears in step 10.

Note: Carefully spread open shield to slide over handrail.

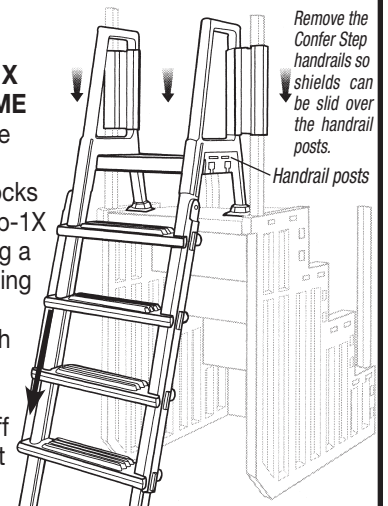


WARNING! Verify that your chosen location is level, has a solid base, and will be in full view of competent adult supervision when in use.

Step 10.

DO NOT PLACE THE STEP-1X INTO THE POOL AT THIS TIME

Slide the shields down over the upper handrail posts on the Step-1X until the mounting blocks rest on the top step of the Step-1X as shown in the diagram. Using a cordless drill attach the mounting blocks to the top step using 4 - #10 x 1-1/4" screws in each mounting block. (8 total). Separate the 8000X from the Step-1X by lifting the ladder off of the adjustable tubes. Do not remove adjustable tubes and mounting blocks



WARNING! Shields must be attached to reduce the risk of entrapment

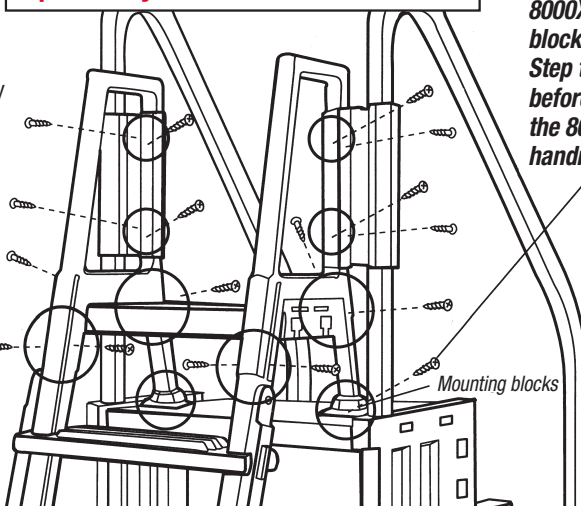
Step 11.

At this time with **ADDITIONAL** help place the Step-1X into swimming pool, refer to separate Step-1X instructions.

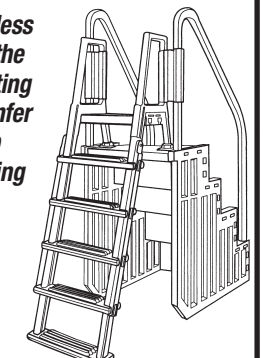
With the Step-1X in position install the 8000X ladder by sliding the shields down over the step handrail posts and the ladder rails down over the adjustable tubes. Attach the ladder handrails to the outside ladder stringers using two #10 x 1-1/4" screws at the pre-marked locations on each handrail. (4 total) Level the ladder platform by moving up or down on the adjustable tubes. Once level secure the ladder handrails to the adjustable tubes using two #10 x 1-1/4" screws at the pre-marked locations on each ladder handrail. (4 total).

Fasten the shields to the 8000X handrails using four #10 x 1-1/4" screws per shield. (8 total) Install the Step-1X handrails, refer to separate Step-1X instructions.

WARNING! Using a corded drill near pool may result in electrocution.



Using a cordless drill, secure the 8000X mounting blocks to Confer Step top step before securing the 8000X handrail.



WARNING! Pool ladder must be attached to Confer-Step-1X platform for stability.

Safe Use

! WARNING

To reduce the risk of drowning, entrapment, falls, paralysis, or other serious injury or death:

Use ladder properly.

- **No diving or jumping from ladder** - shallow water; risk of paralysis or death.
- FOR ENTRY/EXIT OF POOL, FACE THE LADDER AT ALL TIMES.
- ONE PERSON ON THE LADDER/STAIR AT A TIME.
- To reduce the risk of entrapment or drowning, DO NOT swim through, behind or around ladder.
- Illuminate the ladder when using the pool at night.

Weight limit - 300 lbs maximum. Exceeding maximum weight may cause the ladder to fail.

Secure ladder when not in use. When pool is NOT IN USE, keep outer treads in the up position and locked with the padlock. (See "Swing Up Instructions", below.) **Watch children at all times** when they are in or around water to help prevent drowning.

MAINTENANCE: Check the padlock for proper operation and lubricate if necessary.

WINTERIZING: Unfasten the ladder from adjustable tubes and pool step and remove. When winterizing your pool, if you decide to leave the pool step in the pool move the step towards the center of the pool and away from the pool wall. Remove any outside steps or ladders from the pool area to eliminate access to the pool. The Confer-Step-1X can be covered, if desired, and stored outdoors. **If you decide to remove your pool step from the pool:**

! WARNING

Pool step will be heavy and must be lifted from within the pool. Have additional help if you move the step or choose to remove it from swimming pool. Do not attempt to do this by yourself - 2-3 people are required to move pool step safely. DO NOT lift pool step by handrails or handrail posts - they may detach, possibly resulting in a fall.

Remove any outside steps or ladders from the pool area to eliminate access to the pool.

From inside the pool position one person on each side of the step, grip the bottom of the side panels and carefully lift the step high enough to start tilting back. **DO NOT LIFT STEP BY HANDRAILS, POSTS OR TOP TREAD. THE HANDRAILS, POSTS AND TOP TREAD WILL NOT SUPPORT THE WEIGHT OF THE POOL STEP AND MAY DETACH OR BREAK, RESULTING IN A FALL OR INJURY.**

Rest the step on the pool top ledge until most of the water has drained. Once it is light enough, carefully lift over the side of the pool, laying unit on its back side. Allow most of the water to drain from the side panels. Once the water has drained, stand the step up. To reinstall, see Step #11.

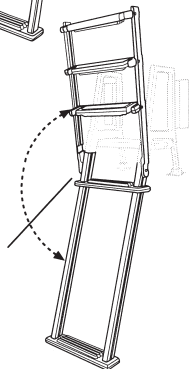
Closing and Opening Ladder

To Use Ladder:

Move "swing up" portion of the ladder to the "down" position and secure.

To Close Ladder:

Move "swing up" portion of the ladder to the "up" position and secure.



WARNING! when pool is NOT IN USE, keep the outer treads in the up position and locked with the padlock.

CONFER PLASTICS INC. FIVE YEAR WARRANTY

Confer Plastics Inc. warrants their swimming pool ladders and steps to be free from defects in workmanship for five years from date of purchase.

DO NOT RETURN DEFECTIVE PART TO DEALER

E-MAIL CONFER PLASTICS AT:

LADDERS@CONFERPLASTICS.COM

A picture [s] of defective part, a brief description of problem, proof of purchase and your contact information.

INFORMATION MAY ALSO BE FAXED TO CONFER PLASTICS AT:
716-694-3102

OR MAILED TO THE ADDRESS BELOW.

Upon review of the information you will be notified if part is covered under the warranty and the shipping/handling charges.

This warranty gives you specific legal rights, and you may also have other rights which may vary from state to state.

Confer Plastics Inc.

97 Witmer Road

North Tonawanda, NY 14120-2421

MADE IN THE U.S.A. by:



CONFER
plastics inc.

Printed in U.S.A.

97 Witmer Road

North Tonawanda, New York 14120-2421

Toll Free U.S. 866-396-2968

716-283-1826/ FAX 716-283-3249

www.conferladders.com

