

# ⚠️ WARNING

To reduce the risk of drowning, entrapment, falls, paralysis, electrocution, or other serious injury or death:

**Dealer/Installer:** Give manual to homeowner.

**Installer:** Read “Safe Installation” on p. 2 and all instructions before beginning. For proper assembly and installation, instructions must be followed completely.

**Homeowner:** Read “Safe Use” in the instructions for the system or kit (Pool Entry System, SIG System, or STEP Enclosure Kit) to which the gate will be attached before using. **Gate must be latched at all times.**

**Secure gate with padlock when not in use.** Save these instructions.

Installation must comply with local codes and may require permits.

## MODEL PES-G-X GATE ASSEMBLY

Can be used on Pool Entry System, SIG-X System and STEP Enclosure Kit

### ASSEMBLY AND INSTALLATION MANUAL



Scan to  
see our  
Installation  
Videos



**MODEL  
PES-DBL-X**

**NEW!!**



Now with  
Automatic Gate Closer!



**MODEL SES-X**

**WARNING: GATE MUST BE PADLOCKED WHEN NOT IN USE.**



Made in the U.S.A. by

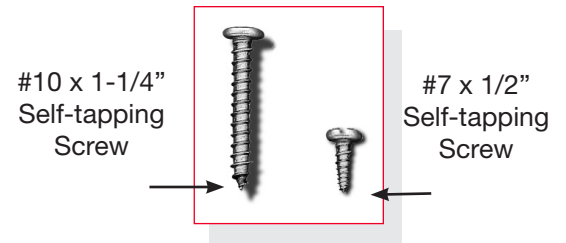
**CONFER**  
*plastics inc.*

[www.conferplastics.com](http://www.conferplastics.com)

# POOL ENTRY SYSTEM GATE ASSEMBLY

## MODEL # PES-G-X

BILL OF MATERIALS		
Parts List	Required	Part #
Gate	1	6-Gate-01
Hinge Mounting Post	1	6-Gate-02
Latch Mounting Post	1	6-Gate-03
Hardware Pack	Required	Part #
#10 x 1-1/4" Screw	20	3-00-14C
#7 x 1/2" Screw	8	3-Gate-01
Padlock	1	3-00-03
Gate Latch with Latch Bar	1	3-Gate-06
Gate Closer	1	3-Gate-07



### Tools Required

- Cordless Drill
- 1/16 Drill Bit
- Phillips Screwdriver Bit
- Silicone Spray or Spray Lubricant

## Safe Installation

### ⚠️ WARNING

To reduce the risk of electrocution, drowning, entrapment, falls, or other serious injury or death:

**Check building codes/permitting.** Consult your local Building Department before installation of your pool and equipment. Pool/equipment installation must comply with the codes of the authority having jurisdiction and may require permits (e.g., building, plumbing, electrical, zoning, etc.).

#### Use for intended purpose only

- Use only as swimming pool stairs.
- These steps are designed and manufactured for a specific pool wall height and/or deck of the pool - check product specification and the height of your pool.

**Check that you have all required parts.** Check the contents of the carton with the Parts list for this step system. All parts and hardware are required. If any parts are missing, **DO NOT attempt to assemble or install the steps.** Instead, call Toll Free U.S. - 800-635-3213 or visit our web site at [www.conferplastics.com](http://www.conferplastics.com) for assistance.

**Select an appropriate location** - The step system must be located on a solid base.

#### Follow all instructions

- For stable, correct assembly and installation, all instructions must be followed completely and in the sequence shown.
- Follow the manufacturer's recommendations for the safe use of all hand tools and equipment used during installation.

**Cordless drill only - no corded drills near pool.** Use a cordless drill for assembly and installation. To reduce the risk of electrocution, NEVER use a corded drill in or around a pool.

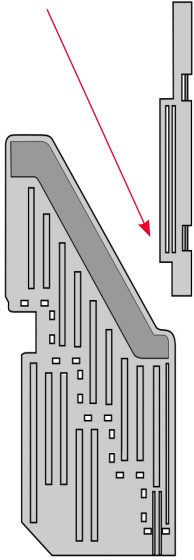
**Lift safely.** When lifting awkward or heavy loads, have another person help you.

#### Double check after installation

- Before using the product, after assembly and installation, go over the instructions and procedures again to make sure nothing has been overlooked.
- Make sure that safety labels are installed and legible.

### Step #1

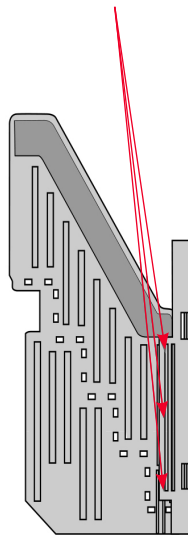
Spread open the flange of the hinge mounting post and slide it down over the **right** side panel until the bottom edge of the hinge post and the bottom edge of the side panel are even.



### Step #2

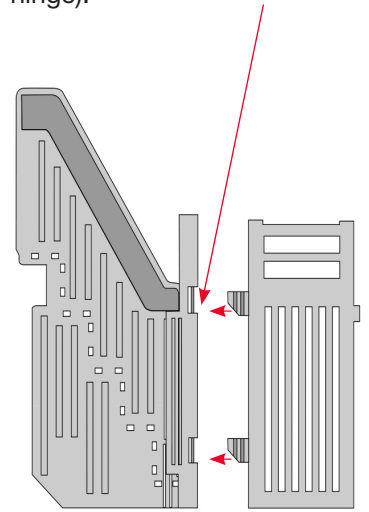
With a cordless drill, fasten the hinge post to the side panel using six of the #10 x 1-1/4" self-tapping screws at the pre-marked spots on each side of the hinge post (3 per side).

**WARNING!**  
Using a corded drill near pool may result in electrocution.



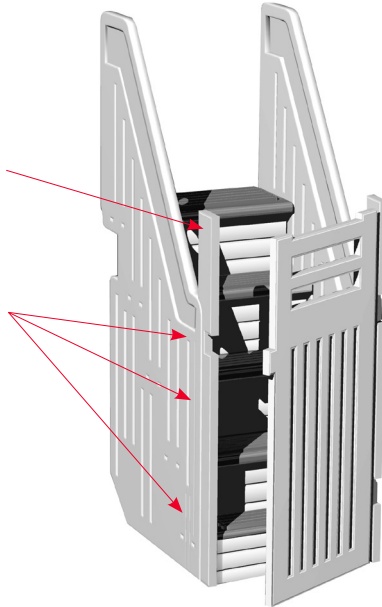
### Step #3

Slide the open gate hinge through the hinge post pin opening and wrap the gate hinge around the hinge pin. Fasten the hinge at the four pre-marked spots using the #7 x 1/2" self-tapping screws (4 per hinge).



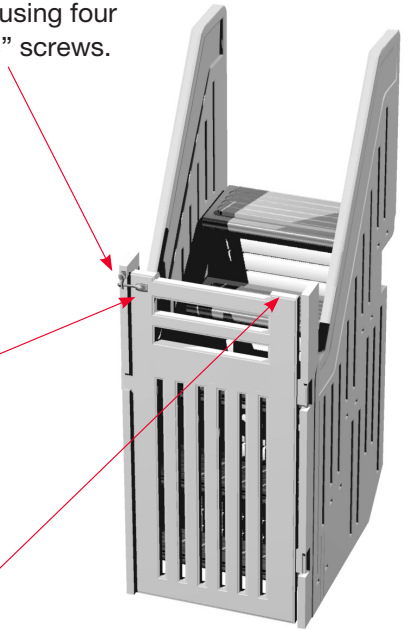
### Step #4

Spread open the flange of the latch mounting post and slide it down over the left side panel. Slide the post up or down until the support knob closes properly into the recess on the post. Once the latch post is aligned so the gate closes properly fasten the post to the side panel using six (6) #10 x 1-1/4" screws.



### Step #5

Install the latch on the mounting block located on the upper portion of the latch post using four (4) #10 x 1-1/4" screws.



### Step #6

Close the gate and align the latch bar by locking it into the gate latch as shown. Secure the latch bar to the gate with two (2) #10 x 1-1/4" screws.



### Step #7

The PES-G includes a gate closer. Mount the closer on the flat recessed area on the hinge post (see diagram to left).

To adjust tension on the closer after installation see detailed instructions on closer package.



**DO NOT** use the slide plate. It is for metal/wood finish wear and will not work with our gravity hinge.

**Note:** Spraying the gate hinges with a silicone spray will aid in the self-closing action.

**WARNING: GATE MUST BE LOCKED WHEN POOL IS NOT IN USE.**

## Safe Use

### **! WARNING**

To reduce the risk of drowning, entrapment, falls, paralysis, electrocution, or other serious injury or death:

Use step system properly.

- No diving or jumping from steps - shallow water; risk of paralysis or death.
- ONE PERSON ON THE LADDER/STAIR AT A TIME.
- Illuminate the steps when using the pool at night.

**Weight limit - 400 lbs maximum.** Exceeding maximum weight may cause the stairs to fail.

**Secure stairs when not in use.** When pool is not in use, make sure gate is closed and locked.

**Watch children at all times** when they are in or around water to help prevent drowning.

### TO WINTERIZE YOUR POOL

We suggest removing your Confer-Step from the pool for the off-season months.

**WARNING! Pool step will be heavy and must be lifted from within the pool. Have additional help when removing from swimming pool. Do not attempt to remove by yourself.**

If your Confer-Step is attached to a deck: Two people are required for this operation and it is best to remove the unit while the water is still warm enough so that one person can get into the pool. Disconnect the mounting brackets from the deck. The person in the water can lift the unit up while the person on the deck helps to pull and guide the unit onto the deck. After the unit is on the deck, and the water has drained out of the steps, lay the unit on it's back side so that most of the water drains from the side panels.

If getting into the water is not an option the unit can be removed by both people standing on the deck and lifting and tilting the unit to drain some of the water from the steps. After the unit is light enough carefully lift it from the pool. Caution: Use care when lifting the unit. It will weigh at least 130 lbs.

If you have the Confer-Step Enclosure System or Connector System: disconnect the two units by removing the center platform/ side rail assembly at the top of the steps.

**WARNING! Do not stand on the top step of the outside unit as it may tip.**

Lift up the unit inside the pool and tilt it so that water drains out of the steps. Once it is light enough carefully lift it over the side of the pool, lay the unit on it's back side and allow most of the water to drain from the side panels.

The Confer-Step can be covered, if desired, and stored outdoors.

## CONFER PLASTICS INC. FIVE YEAR WARRANTY

Confer Plastics Inc. warrants their swimming pool ladders and steps to be free from defects in workmanship for five years from date of purchase.

### DO NOT RETURN DEFECTIVE PART TO DEALER

E-MAIL CONFER PLASTICS AT: [LADDERS@CONFERPLASTICS.COM](mailto:LADDERS@CONFERPLASTICS.COM)  
A PICTURE [S] OF DEFECTIVE PART, A BRIEF DESCRIPTION OF PROBLEM,  
PROOF OF PURCHASE AND YOUR CONTACT INFORMATION.

INFORMATION MAY ALSO BE FAXED TO CONFER PLASTICS AT: **716-694-3102**  
OR MAILED TO THE ADDRESS BELOW. UPON REVIEW OF THE INFORMATION YOU  
WILL BE NOTIFIED IF PART IS COVERED UNDER THE WARRANTY AND  
THE SHIPPING/HANDLING CHARGES.

This warranty gives you specific legal rights, and you may also have other rights which may vary from state to state.

Confer Plastics Inc.  
97 Witmer Road  
North Tonawanda, N.Y. 14120-2421

MADE IN THE U.S.A. by:



**CONFER**  
*plastics inc.*

Printed in U.S.A.

97 Witmer Road  
North Tonawanda, New York 14120-2421  
Toll Free U.S. 800-635-3213  
716-694-3100  
[www.conferplastics.com](http://www.conferplastics.com)