

# MODEL CK7200 Conversion Kit

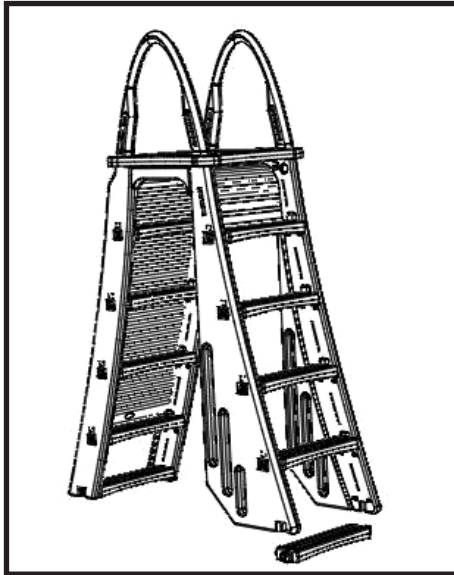
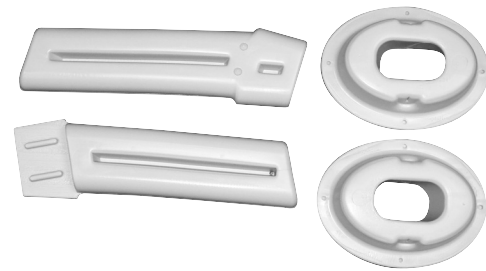
## Kit USED TO CONVERT 7200 A-FRAME LADDER TO DECK LADDER ASSEMBLY AND INSTRUCTION MANUAL

### Parts List

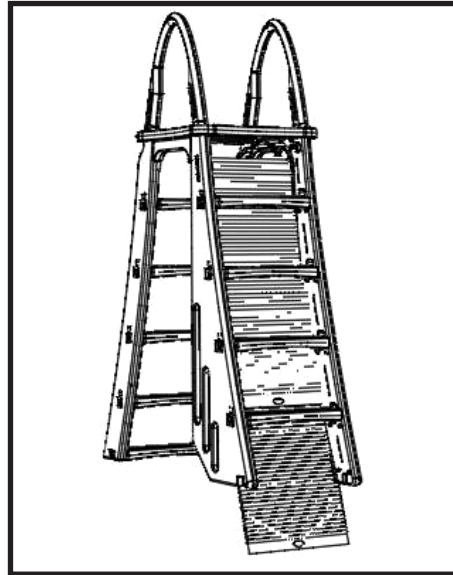
2 - # 6-00-72-CONV-01  
2 - # 6-00-72-CONV-02  
12 - # 3-00-72-CONV

### Description

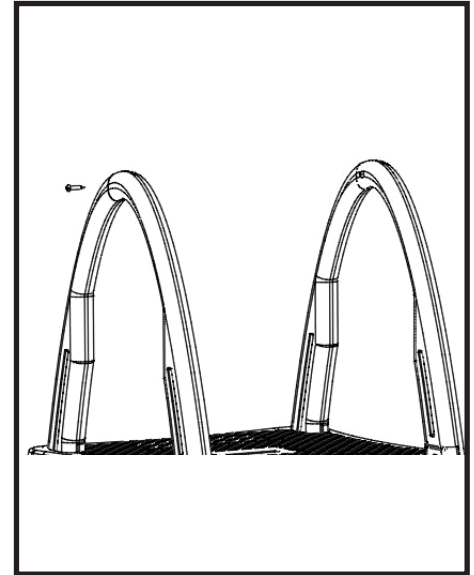
mounting block  
adjustable tube  
# 10 x 2" self tapping screws



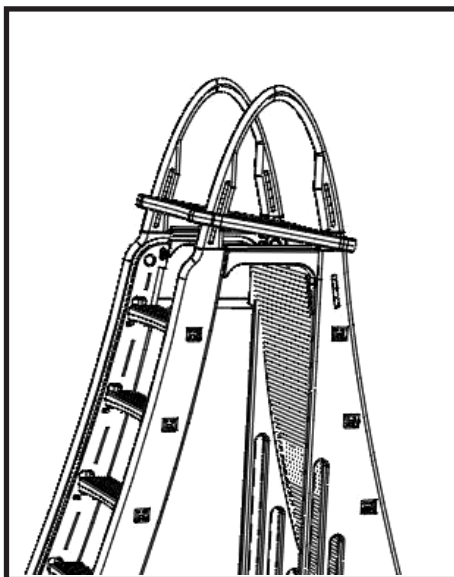
**#1.** Remove the bottom tread from the inside ladder.



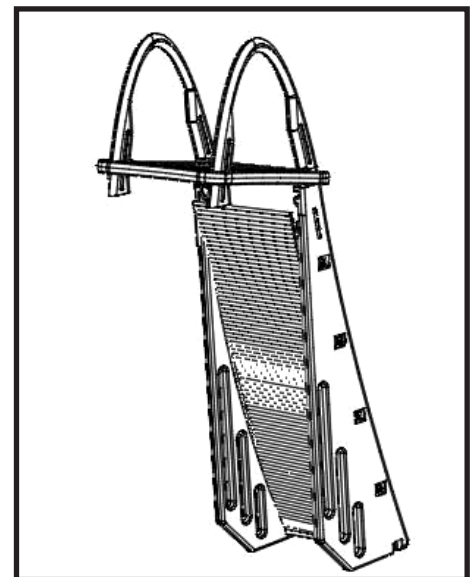
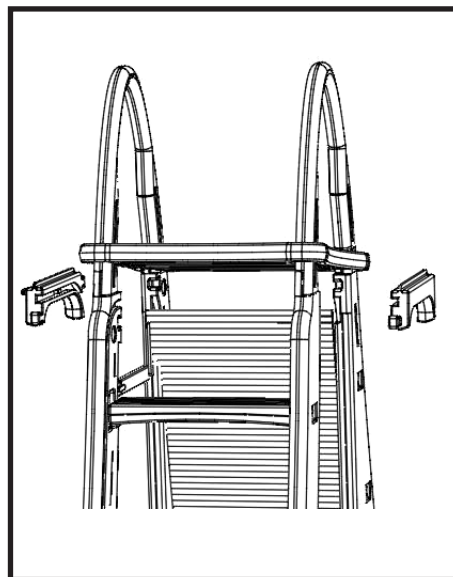
**#2.** Pull the roll guard out of the track about 23". The roll guard grab handle should be just above the top of the upper tread. Using a utility knife carefully cut 23" off the bottom of the roll guard. Replace the bottom tread.



**#3.** Remove the two screws holding the top of handrails together.



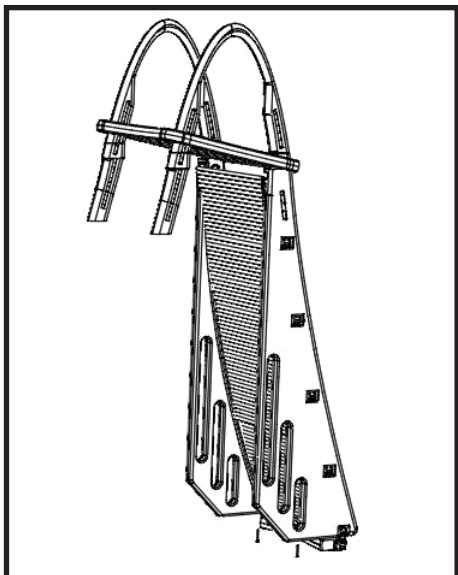
**#4.** Tap the platform up enough to remove the left and right bridge.



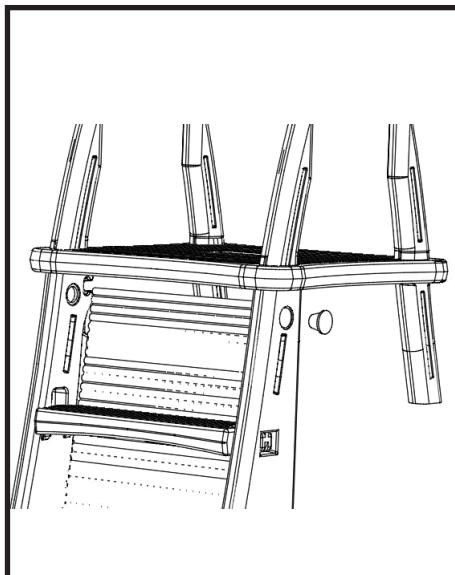
**#5.** Remove the outside portion of ladder, this is no longer needed.

# MODEL CK7200 Conversion Kit

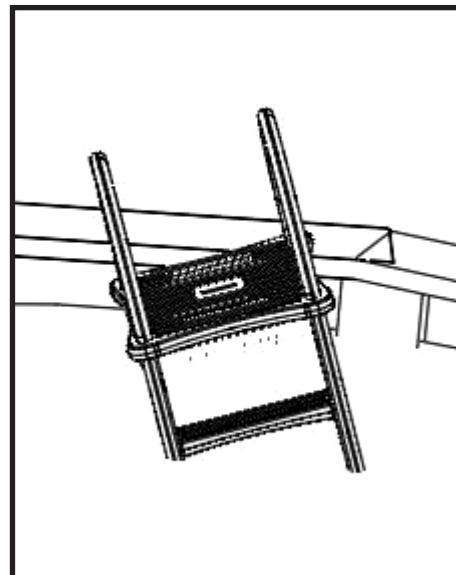
## ASSEMBLY AND INSTRUCTION MANUAL (Cont'd)



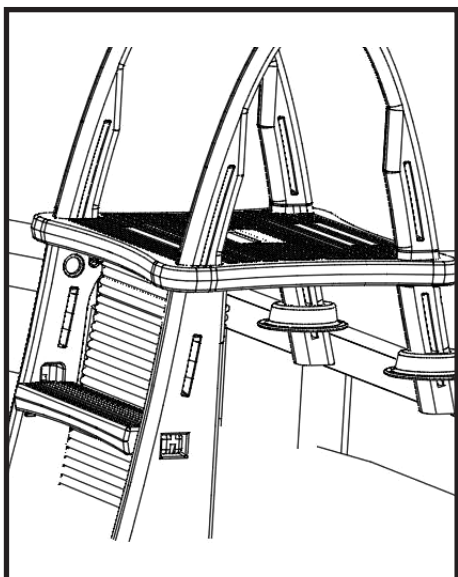
**#6.** Place the adjustable tubes from the conversion kit over the half lap joint on the ladder. Tap the platform down to hold adjustable tubes in place. Replace the two screws in the top of the handrails.



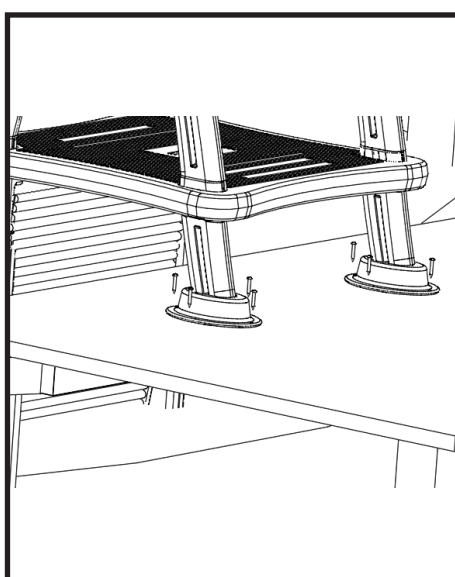
**#7.** Remove the two caps located on the inside top of the rails and place the ladder in the pool.



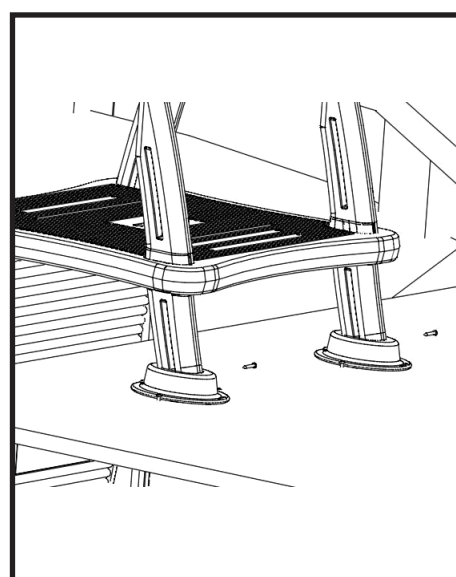
**#8.** To prevent floating, the ladder must be completely filled with water. To fill the ladder with water lean the ladder to the right and hold under water until all the air bubbles stop. Lean ladder to the left until all the air bubbles stop. With all the air out, ladder should be sitting on pool bottom if not repeat procedure. Replace caps



**#9.** Place the ladder where it will be located on the pool deck. To level the ladder you may have to shorten the length of the adjustable tubes, a hack saw works best.



**#10.** Place the tubes in the mounting blocks. Attach the blocks to the deck using 4- self tapping screws in each block.



**#11.** Attach the mounting blocks to adjustable tubes using 2 – self tapping screws in each block.



MADE IN THE U.S.A. by:  
**CONFER**  
plastics inc.

97 Witmer Road  
North Tonawanda, NY 14120-2421  
Toll Free U.S. 800-635-3213  
Tel: 716-693-2056 / FAX: 716-694-3102  
[www.conferladders.com](http://www.conferladders.com)