

⚠ WARNING

To reduce the risk of drowning, entrapment, falls, paralysis, electrocution, or other serious injury or death:

Dealer/Installer: Give manual to homeowner.

Installer: Read "**Safe Installation**" on page # 2 and all instructions before beginning. For proper assembly and installation, instructions must be followed completely.

Homeowner: Read "**Safe Use**" on back cover before using. Save these instructions.

Installation must comply with local codes and may require permits.

THE DELUXE STEP

By Confer Plastics

WEIGHT LIMIT 300 LBS.

ASSEMBLY, INSTALLATION AND USE MANUAL

Assembly video available online: www.conferplastics.com



MADE IN U.S.A. BY

CONFER
plastics inc.

THE DELUXE STEP

If missing parts call - Toll free U.S./Canada - 800-635-3213 or www.conferladders.com

Parts List

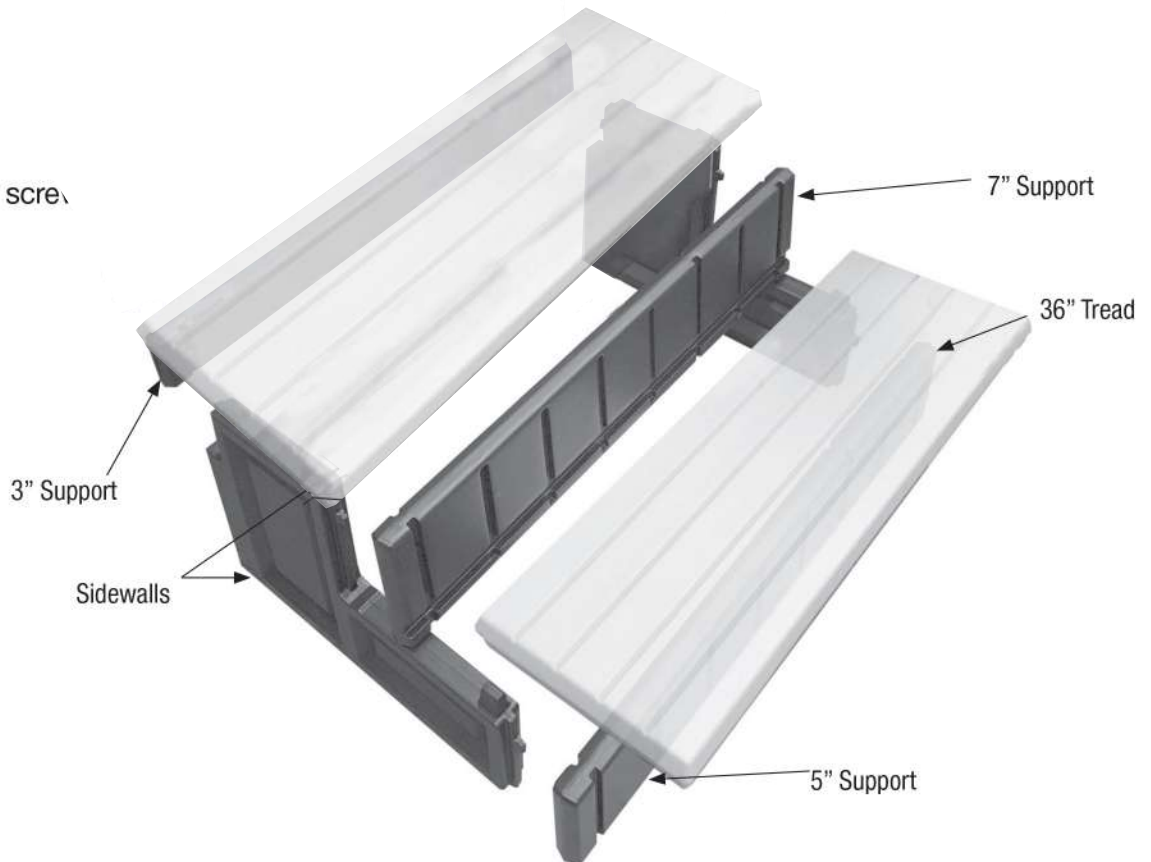
- 2 - 36" Treads
- 1 - 7" Support
- 1 - 5" Support
- 1 - 3" Support
- 2 - Sidewalls

Hardware Pack

- 1 - 1 Foam Strip (4 pads)
- 4 - #10 x 1-1/4" self-tapping screws

Tools Needed

- Rubber Mallet
- Cordless Drill
- 1/8" Drill Bit
- #2 Phillips head driver



Safe Installation

⚠ WARNING

To reduce the risk of drowning, electrocution, falls, or other serious injury or death:

Check building codes/permitting - Consult your local Building Department before installation of your step and equipment. Equipment installation must comply with the codes of the authority having jurisdiction and may require permits (e.g., building, plumbing, electrical, zoning, etc.). Be sure that barriers (fences, gates, etc.) restricting spa access meet local codes.

Use for intended purpose only - Not intended for storing hazardous products (e.g., chemicals) - the step is not a secure location.

Check that you have all required parts - Check the contents of the carton with the Parts List for this step. All parts and hardware are required. If any parts are missing **DO NOT attempt to assemble or install the step**. Instead call Toll Free U.S. 800-635-3213 or visit our website at www.conferladders.com for assistance.

Select an appropriate location - The step must be located on a level solid base and in a location that will be in full view of competent adult supervision when in use.

- Follow all instructions.

- For stable correct assembly and installation all instructions must be followed completely and in the sequence shown.
- Follow the manufacturer's recommendations for the safe use of all hand tools and equipment used during installation.

Cordless drill only. No corded drills near water - Use a cordless drill for assembly and installation. To reduce the risk of electrocution, NEVER use a corded drill in or around a water.

Lift safely - When lifting awkward or heavy loads, have another person help you.

Double check after installation -

- Before using the product, after assembly and installation, go over the instructions and procedures again to make sure nothing has been overlooked.

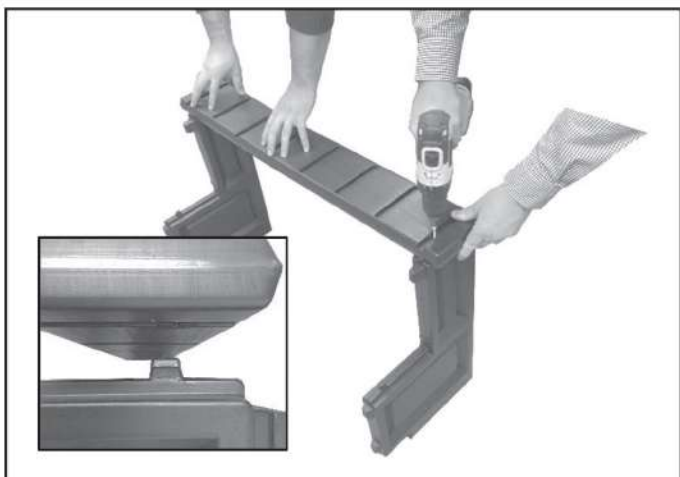
STEP ASSEMBLY:



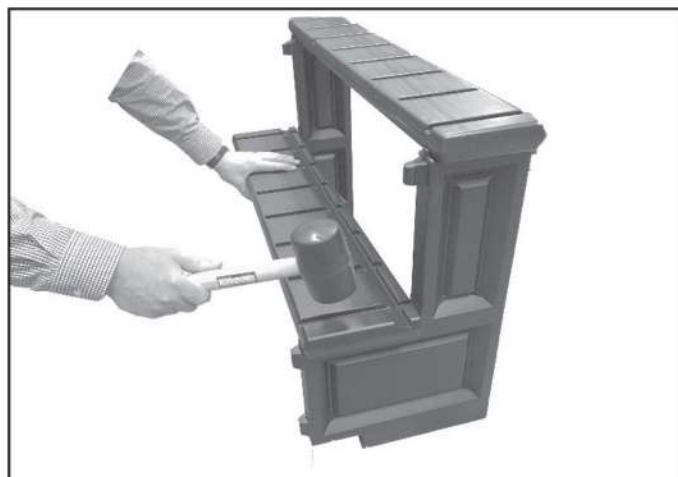
#1: Install 2 self-adhesive pads on each of the sidewalls.



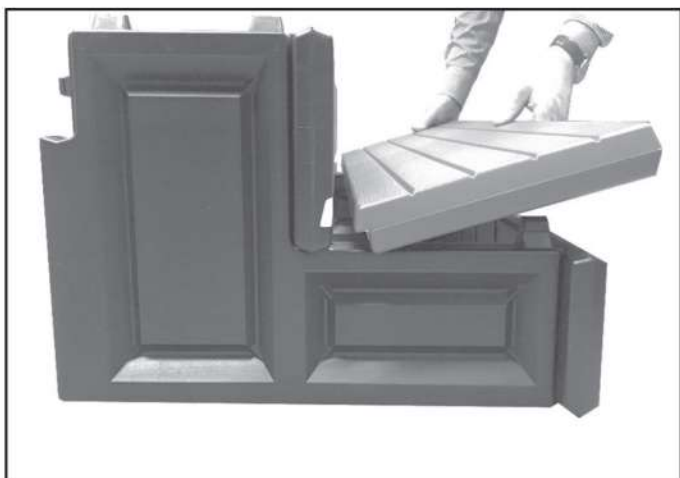
#2: Pre-drill 1/8" pilot holes in the two marked locations at the end of the 5" support.



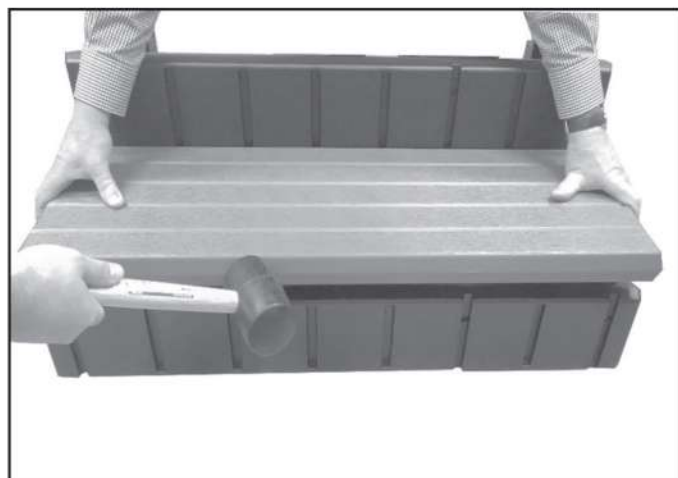
#3: With a helper, place the 5" support over the two locking tabs on the sidewalls. Tap down with mallet until seated on the locking tabs. Secure the support at both ends using 2 - #10 x 1-1/4" screws.

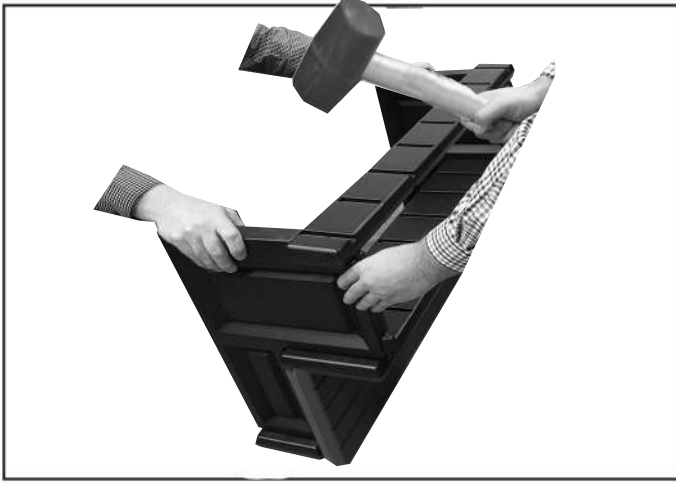


#4: Place the 7" support over the two locking tabs with the groove facing up. Tap down with a rubber mallet until seated on the locking tabs. **No screws are required.**

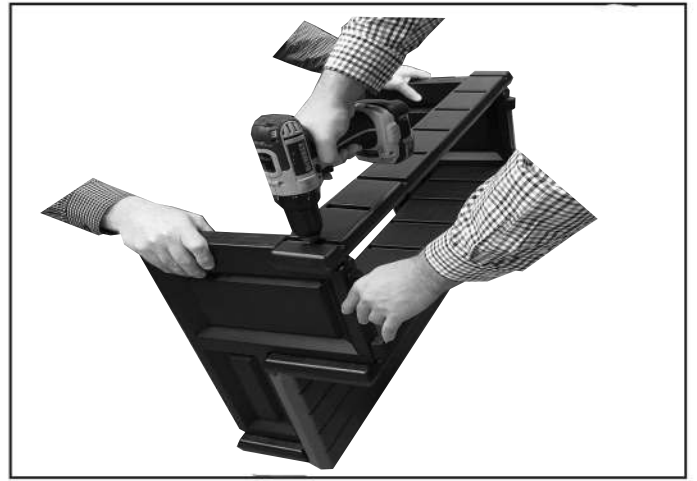


#5: To install the bottom tread, place the tapered edge into the groove on the 7" riser. Apply pressure to force the tapered edge into the groove. While holding the tread in place, have your helper tap the front of the tread with the rubber mallet. This will help seat the tread into the groove. Tap down on top of the tread until seated on the locking tabs.

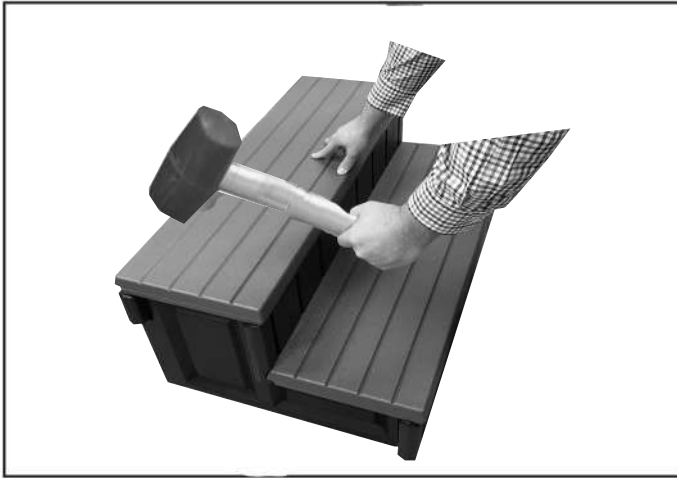




#8: Stand the step up on the front edge. While holding, have your helper place the hinged top assembly support over the locking tabs on back of the step. Tap down until seated onto the locking tabs.



#9: Pre-drill 1/8" pilot holes in the two marked locations at the ends of the 3" support. Attach support using 2 - #10 x 1-1/4" self-tapping screws.



#10: Position the top tread over the locking lugs making sure the notch is facing the back of the step. To lock in place strike the top of the tread directly over the locking lugs with the rubber mallet

Safe Use

⚠ WARNING

To reduce the risk of drowning, falls, paralysis, electrocution, or other serious injury or death:

Use step system properly.

Use for intended purpose only - Not intended for chemical storage.

- **No diving or jumping from steps** - shallow water; risk of paralysis or death.
- **ONE PERSON ON THE LADDER/STAIR AT A TIME.**
- **Illuminate the steps** when using the pool at night.

Weight limit - 400 lbs. maximum - Exceeding maximum weight may cause the step to fail.

Secure the spa when not in use - (for example, with a locked cover or secure gate) - refer to local codes.

Watch children at all times when they are in or around water to help prevent drowning.

BE SURE AND SAFE - The manufacturer **IS NOT** responsible for improper assembly, installation and use.

CONFER PLASTICS INC. FIVE YEAR WARRANTY

Confer Plastics Inc. warrants their swimming pool ladders and steps to be free from defects in workmanship for five years from date of purchase.

DO NOT RETURN DEFECTIVE PART TO DEALER

E-MAIL CONFER PLASTICS AT: **CUSTOMERSERVICE@CONFERPLASTICS.COM**
A PICTURE [S] OF DEFECTIVE PART, A BRIEF DESCRIPTION OF PROBLEM,
PROOF OF PURCHASE AND YOUR CONTACT INFORMATION.

INFORMATION MAY ALSO BE FAXED TO CONFER PLASTICS AT: **716-694-3102**
OR MAILED TO THE ADDRESS BELOW. UPON REVIEW OF THE INFORMATION YOU
WILL BE NOTIFIED IF PART IS COVERED UNDER THE WARRANTY AND
THE SHIPPING/HANDLING CHARGES.

This warranty gives you specific legal rights, and you may also have other rights which may vary from state to state.

Confer Plastics Inc.
97 Witmer Road
North Tonawanda, N.Y. 14120-2421

MADE IN THE USA



CONFER
plastics inc.

Printed in USA

97 Witmer Road
North Tonawanda, New York 14120-2421
Toll Free U.S. 800-635-3213
FAX 716-694-3102
www.conferladders.com

CP-STORAGESTEP REV. 1/19