

# MODEL CK7100-X Conversion Kit (warm gray)

## USE CK7100-X CONVERSION KIT TO CONVERT 7100X A-FRAME LADDER TO 6100X INPOOL LADDER

### ASSEMBLY AND INSTRUCTION MANUAL

#### Parts List

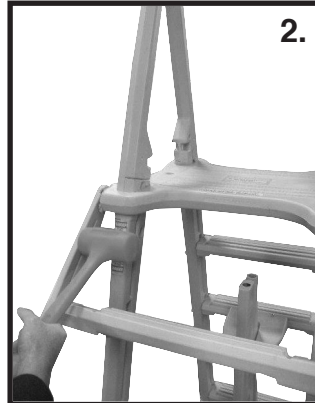
2 - Adjustable Tube Handrails (wg) 2 - Adjustable Tubes (wg)  
2 - Mounting Block (wg)

#### Hardware Pack

14 - #10 x 1-1/4" screw



7100X A-Frame Ladder



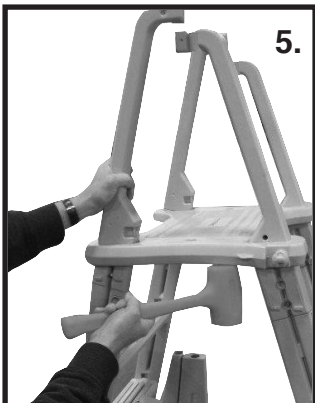
Using a rubber mallet remove the swing-up portion of ladder from ladder platform tabs.



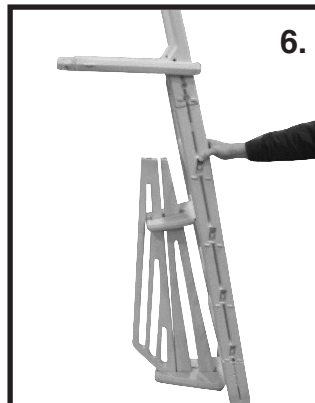
Swing-up section removed.



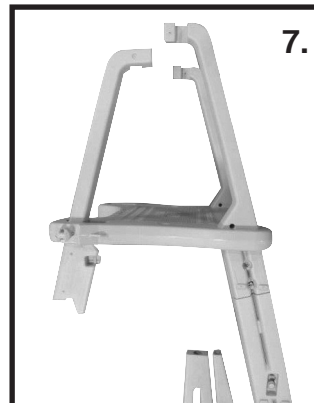
Remove the (2) two screws from the top of hand rails.



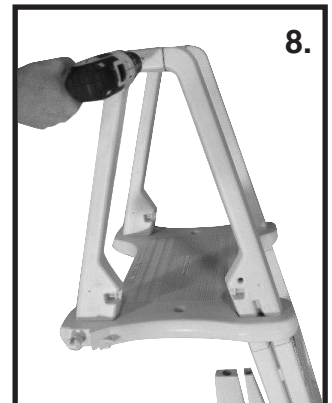
Remove the outside ladder section by tapping on the underside of platform until ladder separates.



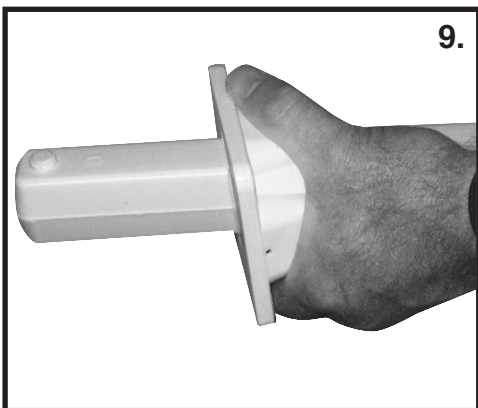
Use only in pool section of ladder with anti-entrapment barrier attached.



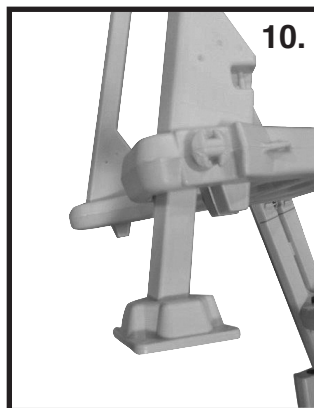
Slide tube rails up through bottom of platform until seated on tabs.



Re-install the (2) two hand rail screws.



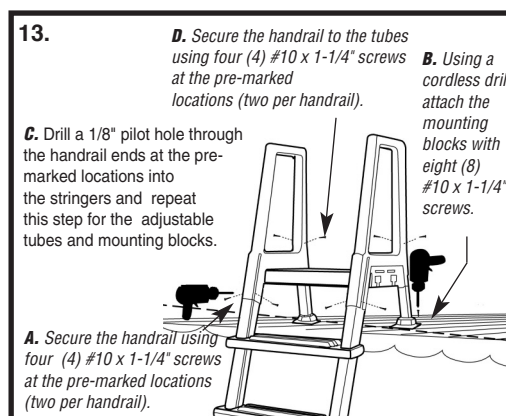
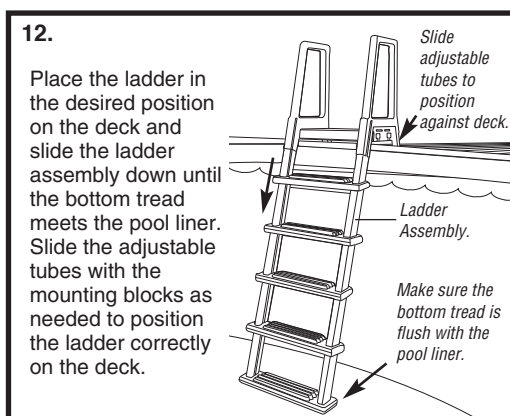
Slide the mounting block over the adjustable tube until seated on the tabs.



Slide adjustable tubes into ladder rails.



Complete 6100X Ladder.



MADE IN THE U.S.A. by:  
**CONFER**  
plastics inc.

97 Witmer Road  
North Tonawanda, NY 14120-2421  
Toll Free U.S. 800-635-3213  
FAX: 716-694-3102  
www.conferladders.com