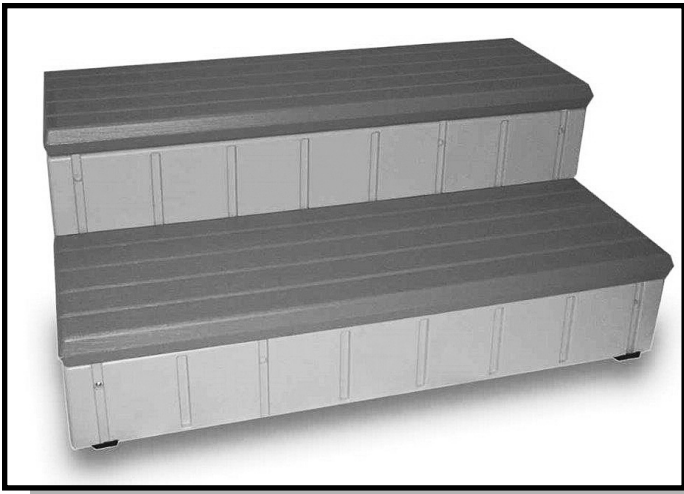


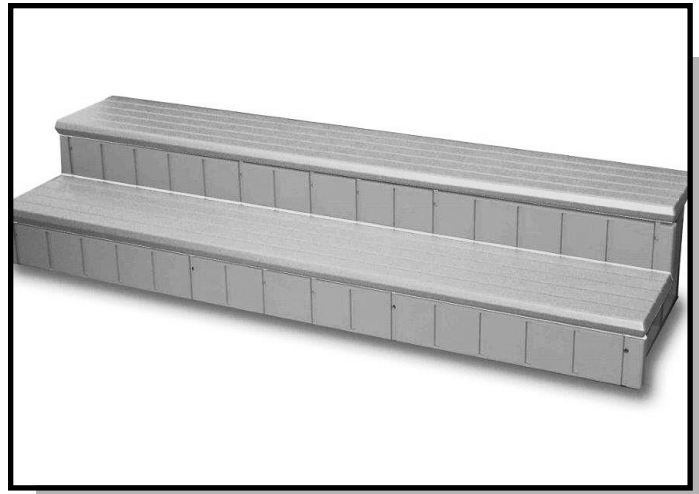
# Leisure Accents

## LASS36" and LASS74" spa step

### Assembly Instructions



**LASS36"**



**LASS74"**

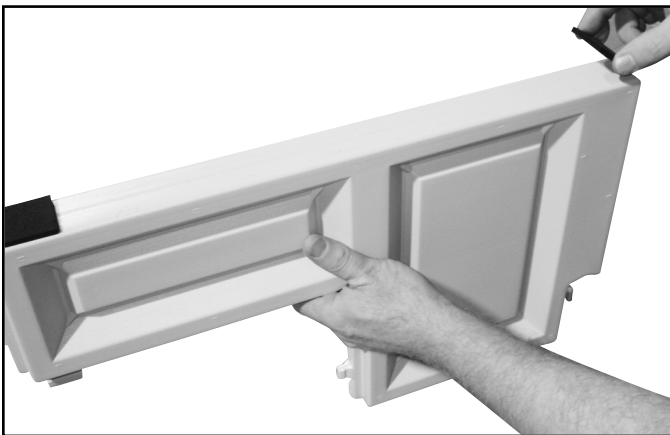
#### Parts list

	36" step	74" step
Spa step sidewall	2	4
3" support	1	1
5" support	1	1
7" support	1	1
Tread	2	2
Self-adhesive pad strip	1	2
Instructions	1	1
#10 x 1-1/4" S.S. screw	4	0

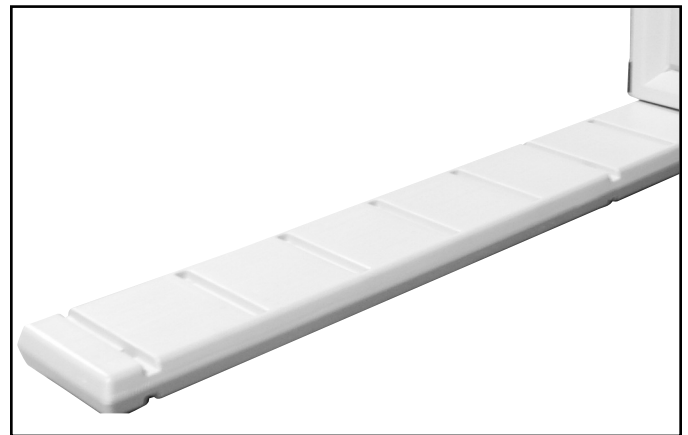
**Note: only the 36" step requires screws**

**Tools required:** rubber mallet, cordless drill, 1/8" drill bit, Phillips head screwdriver

## STEP ASSEMBLY:



**#1:** Install 2 self adhesive pads on each step sidewall.



**#2:** Lay the 3" support on a flat surface with the rectangular slots facing upwards.

MADE IN THE U.S.A. BY:



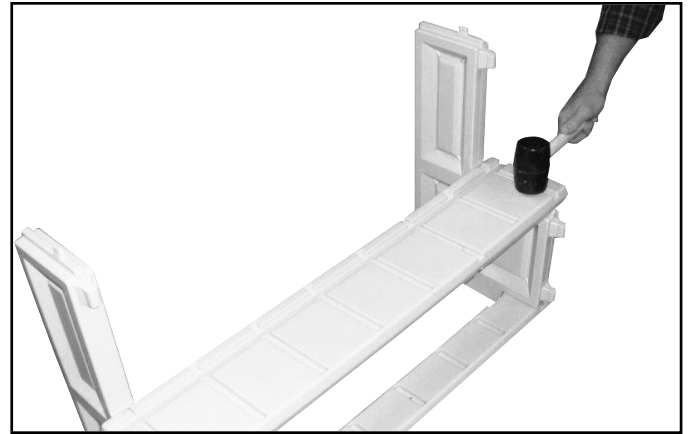
**CONFER**  
*plastics inc.*

97 Witmer Road  
North Tonawanda, NY 14120-2421  
Toll Free U.S. 800-635-3213  
Tel: 716-694-3100  
[www.conferplastics.com](http://www.conferplastics.com)

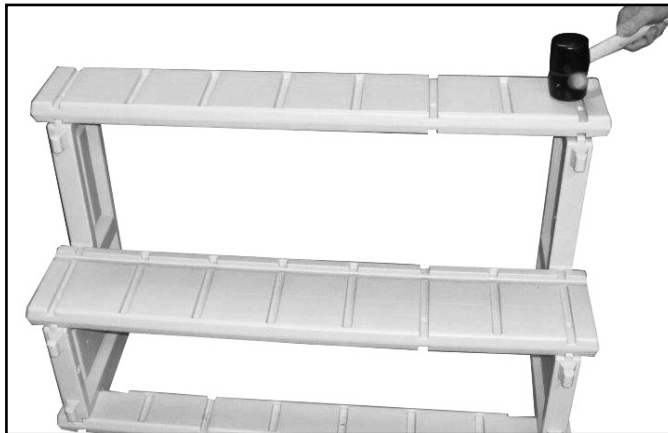
Printed in U.S.A.  
LASS36-74- 12-15



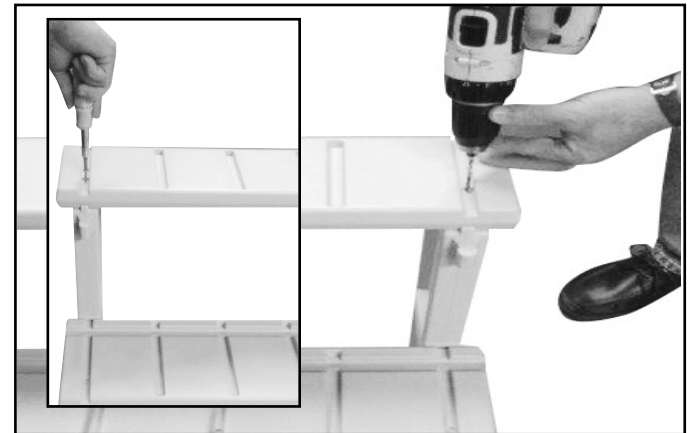
**#3:** Place the locking lug located in the recessed area on the back of the sidewall into the rectangular slot in the 3" support. Lock in place by tapping down on sidewall with a rubber mallet.



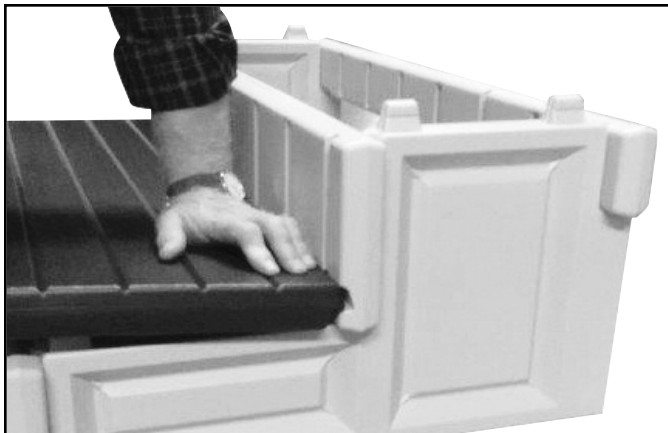
**#4:** Lay the 7" support over the locking lugs on the sidewalls with the groove facing downward. Lock in place by tapping down with rubber mallet over each lug location.



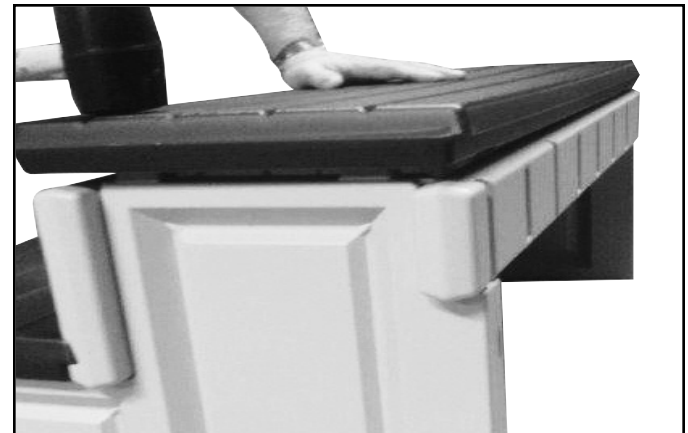
**#5:** Lay the 5" support [rectangular slots facing down] over the locking lugs on the sidewalls. Lock in place by tapping down with rubber mallet over each lug location.



**#6: FOR THE 36" STEP ONLY** secure the 3 " and 5" supports in position by fastening each support with two of the #10 x 1-1/4 screws. First locate the small round recesses at the end of the supports directly over the lugs on the sidewall. Drill a 1/8" pilot hole completely through the support and the step sidewall. Fasten using the #10 x 1-1/4" screws, hand tighten



**#7:** Starting with the bottom tread, angle the tread so the notch fits into the groove on the 7" support and is in position over the locking lugs. While holding tread into the groove apply downward pressure then strike front edge with rubber mallet to lock in place.



**#8:** Position the top tread over the locking lugs making sure the notch is facing the back of step. To lock in place strike the top of tread directly over the locking lugs with rubber mallet.